

The 29LW12A11UN series of monitors have been designed for industrial applications in the Control field and other users that require a compact replacement for monochrome CRT monitors with a small footprint, high brightness display and good viewing angles. The rugged, metal construction of the monitors ensures simple retro-fit replacement.

The KME A/D board used has been designed to accept a wide range of signal timings from 15kHz up to VGA standard, including CGA & EGA legacy signals. Set-up controls for fine-tuning of the display are located at the rear of the monitor. Once set, no further adjustments should be required, and the last setting is stored in memory.

Analogue & TTL signals are accepted via a 10w edge connector.

Features

- Monochrome LCD for CRT replacement
- Simple plug - and-play design
- High brightness / high contrast TFT panel
- Programmable for non-standard Legacy signals
- 90-260V AC operation
- OSD controls for maximum versatility

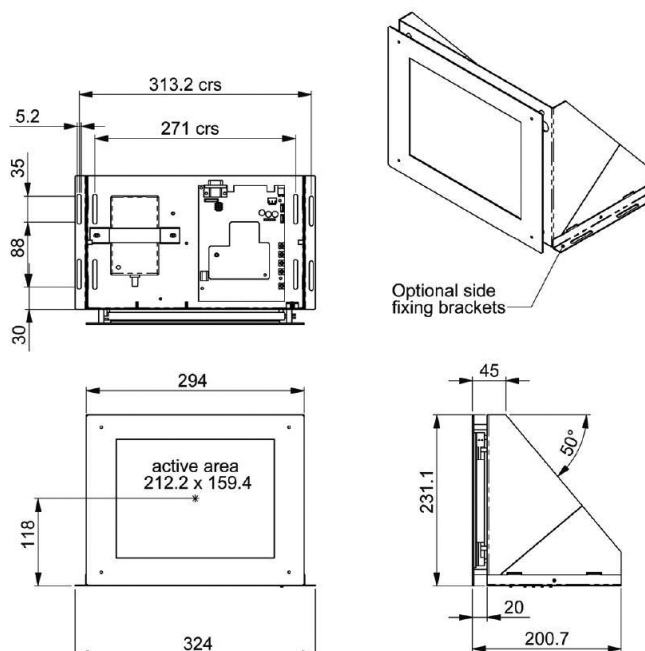
**12" Monochrome
CRT Replacement
29LW12A11UN**



Specifications: see next page

Specifications		
TFT Characteristics	Panel size Nr. of colours Max resolution Active display area Brightness Backlight life Contrast ratio Viewing angles Input connectors	10.4" diagonal 262k 640 x 480 pixels 211.2(w) x 159.4(h) mm 220cd/m ² 50,000 hours 100:1 typical 140°H, 110°V 10w Edge
Video Signal	Analog RGB 0.7-1.0Vp-p, TTL (3 bit)	
Signal Sync	Separate H&V (+/-ve) TTL	or Composite (-ve) TTL or Sync-on-Green (-ve) 0.3V p-p
Synchronisation Range	Horizontal scan Vertical scan	15 to 32kHz 40 to 70Hz
Multiscan Support	Fast Scan Support	640 x 480; 640 x 400; 640 x 350 & other programmed timings in 15-32kHz range
Power supply / Consumption	90-260V AC / 25W typical	
Clock Rate	50MHz max	
Environmental	Storage temp. Operating temp.	-20°C to 70°C 0°C to 50°C
Dimensions	201(l) x 294(w) x 231(h) mm	
Controls	(On Screen Display buttons at rear)	Brightness, Contrast, H/V Position & Size, Frequency, Frequency Fine
Part numbers		
Model	29LW12A11UN/1	

Specifications are subject to change without notice.



• Monitors

- Desktop Monitors
- Large screen Monitors
- Custom-made Monitors
- 19" Rack Mount Monitors
- Rear Mount Monitors
- Monitors for Panel Mount
- Monitors for VESA Mount
- Kiosks
- Accessories

• Monitors – Specific applications

- Stainless Steel Monitors
- Car Displays
- Marine Monitors
- Military Monitors
- Replacement Monitors
- Train Monitors

• Panel PC's

- High Performance Systems
- Custom made Panel PC's
- Low Power Systems
- Extreme environments

• Pointing devices

- Accessories
- Touchpads
- Trackballs
- Trackball Modules
- Joysticks
- Custom made Pointing Devices

• Keyboards

- Desktop Keyboards with or without pointer
- Built-in Keyboards with or without pointer
- Cables & Connectors
- Custom made Keyboards



Mulder-Hardenberg, est. 1927, is the answer to professional demands in the domain of electronic related environments. We don't just sell products. We use our multidiscipline knowledge to provide the best possible solution, designed to your specific interest.

Contact details:

The Netherlands
Mulder-Hardenberg B.V.
Westerhoutpark 1a
2012 JL Haarlem
Tel.: +31 23 531 91 84
infonl@m-h.biz

Belgium, France, Luxemburg
Mulder-Hardenberg N.V.
Hoge Weg 129
B-2940 Stabroek
Belgium
Tel.: +32 3 660 13 20
infobe@m-h.biz

Germany
Mulder-Hardenberg GmbH
Nordring 13
D-65719 Hofheim/Ts
Tel.: +49 6192 - 97 91 85
infode@m-h.biz